

# Service Manual

Speaker System

## SB-M800

Hi-Fi Speaker System

Colour

(M) . . . . . Wood Grain Type



### ■ SPECIFICATIONS

<b>Type Speaker</b>	3 way ,5 speaker system Woofer: Dual Dinamic Drive System 18 cm pasive radiator (x 3) 14cm cone type driver unit (x 3) Midrange: 14 cm cone type Tweeter: 2,5 cm dome type
<b>Impedance</b>	6 Ω
<b>Input power</b>	200 W (MUSIC) 100 W (DIN)
<b>Output sound pressure level</b>	86db/W (1.0 m)
<b>Cross over frequency</b>	90Hz, 3kHz
<b>Frequency range</b>	30Hz - 100kHz (-16 dB) 40Hz - 90kHz (-10 dB)
<b>Dimensions (W x H x D)</b>	240 x 990 x 370 mm
<b>Weight</b>	28 kg

**Notes:**

Specifications are subject to change without notice.  
Weight and dimensions are approximate.

### ■ ESPECIFICACIONES

<b>Tipo Altavoces</b>	Sistema con 3 vias, 5 altavoces Graves: Dual Dinamic Drive System Radiador pasivo de 18 cm (x 3) Activo tipo cónico de 14 cm (x 3) Medios: 14 cm tipo cónico Agudos: 2,5 cm tipo cúpula
<b>Impedancia</b>	6 Ω
<b>Capacidad de potencia</b>	200W (Músicales) 100W (DIN)
<b>Nivel de presión acústica de salida</b>	86 dB/W (1.0 m)
<b>Frecuencia de cruce</b>	90 Hz, 3 kHz
<b>Respuesta de frecuencias</b>	30Hz - 100kHz (-16 dB) 40Hz - 90kHz (-10 dB)
<b>Dimensiones (W x H x D)</b>	240 x 990 x 370 mm
<b>Peso</b>	28 kg

**Nota:**

Estas especificaciones están sujetas a cualquier cambio.  
Peso y dimensiones son aproximados.

### ■ SPECIFICATIONS

<b>Type Haut-parleurs</b>	3-voies, 5-haut-parleurs Graves: Dual Dinamic Drive System 18 cm diffuseur pasive (x 3) 14cm type a cone excitateur active (x 3) Moyennes: 14 cm type a cone Aguis: 2,5 cm type dome
<b>Impédance</b>	6 Ω
<b>Entrée maximale</b>	200 W (Musique) 100W(DIN)
<b>Niveau de pression sonore de sortie</b>	86 dB/W (1.0 m)
<b>Fréquence de conmutation</b>	90 Hz, 3 kHz
<b>Gamme de fréquences</b>	30Hz - 100kHz (-16 dB) 40Hz - 90kHz (-10 dB)
<b>Dimensions (W x H x D)</b>	240 x 990 x 370 mm
<b>Poids</b>	28 kg

**Notes:**

Subject à changement sans preavis.  
Poids et dimensions sont aproximatifs.

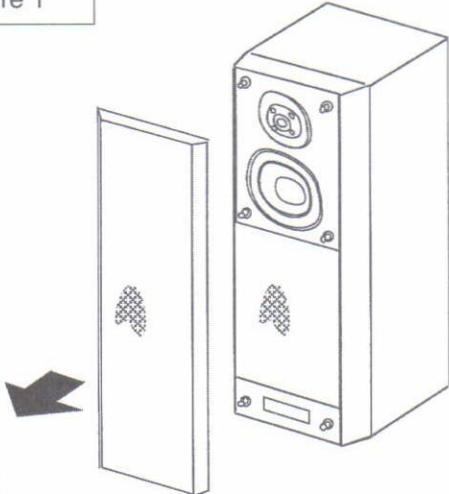
#### ⚠ WARNING

This service information is designed for experience repair technicians only and is not designed for use by the general public. It does not contain warnings or cautions to advise non-technical individuals of potential dangers in attempting to service a product. Products powered by electricity should be serviced or repaired only by experienced professional technicians. Any attempt to service or repair the product or products dealt with in this service information by anyone else could result in serious injury or death.

# DISASSEMBLY INSTRUCTIONS

Ref. No. 1	Removal of the Speaker Nets	Ref. No. 2	Removal of Speaker Midrange
------------	-----------------------------	------------	-----------------------------

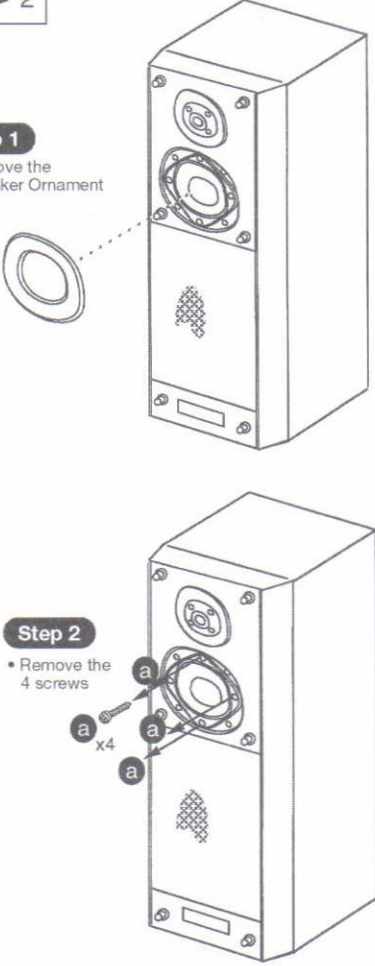
Procedure 1



**Step 1**

- Remove the Speaker Net in the direction of the arrows.

Procedure 1 → 2




**Step 1**

- Remove the Speaker Ornament

**Step 2**

- Remove the 4 screws



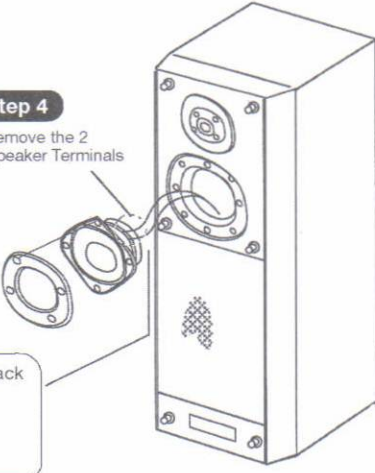
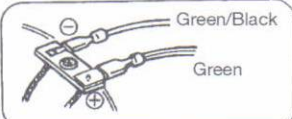
Screw  $\varnothing$  4,2 x 25 mm

**Step 3**

- Remove the Midrange Ring and Speaker Midrange in the direction of front part.

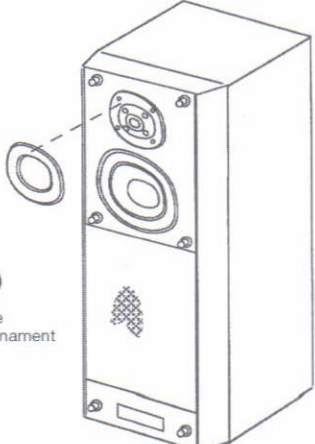
**Step 4**

- Remove the 2 Speaker Terminals

Ref. No. 3	Removal of Speaker Tweeter
------------	----------------------------

Procedure 1 → 3




**Step 1**

- Remove the Speaker Ornament

**Step 2**

- Remove the 4 screws



Screw  $\varnothing$  4,2 x 20 mm

Ref. No. 4

Removal of the Front Panel

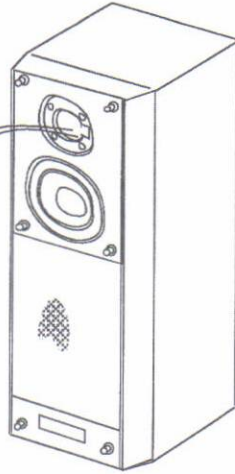
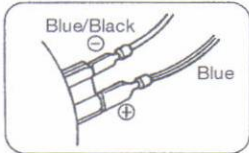
Procedure 1 → 4

**Step 3**

- Remove the Speaker Tweeter in the direction of front part.

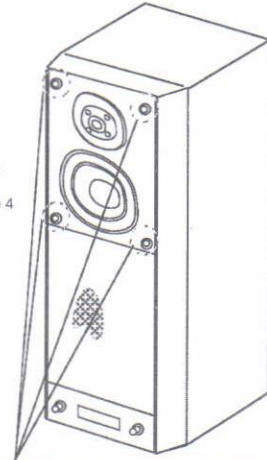
**Step 4**

- Remove the 2 Speaker Terminals



**Step 2**

- Remove the 4 Net Holder



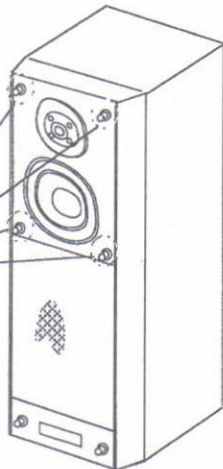
**Step 1**

- Remove the 4 Catch pin

■ Removal of the Catch Pin



Put the tape in Catch Pin



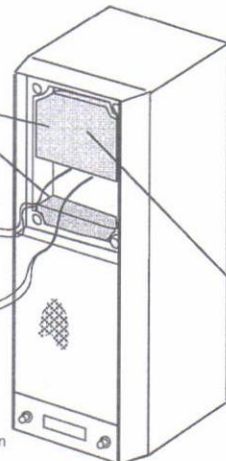
**Step 3**

- Remove the 4 screws



**Step 4**

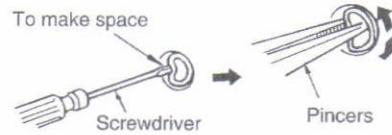
- Remove the Front Panel in the direction of front part



**ATTENTION**

This absorber should cover the cables of the connection with the Speaker Midrange. So that they don't touch the cavity.

■ Removal of the Net Holder

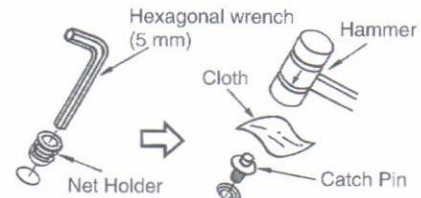


- To use a screwdriver ⊖ and make space between the front panel and the Net Holder.
- To insert the pincers type point and take the Net Holder to rotate.

※ Pay attention not to break the Net Holder. Please, they stock the Net Holder. (SHG8G9044).

■ Inserting the Net Holder and Catch Pin

- Insert the Net Holder using the 5 mm type hexagonal wrench or similar tool like rod.
- After inserting the Catch Pin, press the Catch Pin covering with cloth using the hammer or screwdriver grip.



Screw φ 4,2 x 25 mm

Ref. No. 5

Removal of the Network Ass'y H.F

Procedure 1 → 2 → 3 → 4 → 5

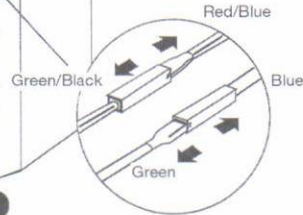
**Step 1**

- Remove the 2 Absorbers in the direction of arrows



**Step 2**

- Remove the 2 Terminals



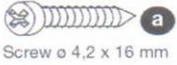
**Step 3**

- Remove the 5 Screws



**Step 4**

- Remove the Network ass'y in the direction of front part.



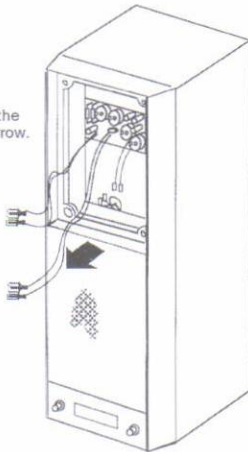
Ref. No. 6

Removal of the Speaker Woofer Frontal

Procedure 1 → 2 → 3 → 4 → 6

**Step 1**

- Remove the Net Frame in the direction of arrow.



**ATTENTION**

- When assembly the Passive Radiator put UP mark to upward.

**Step 2**

- Remove the 6 screws



**Step 3**

- Remove the Passive Radiator and gasket.

**Step 5**

- Remove the absorber(s)

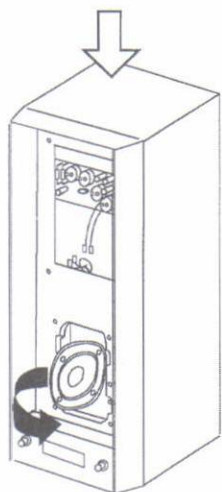
Absorbers (x 2)



**Step 4**

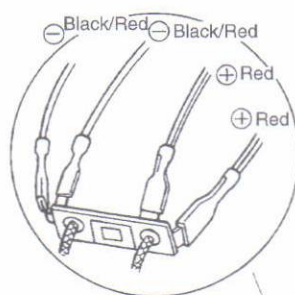
- Remove the 4 screws





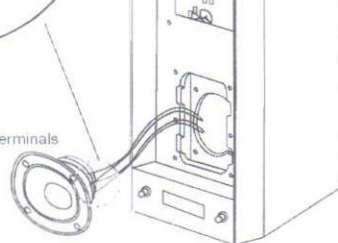
**Step 6**

- When remove the speaker tilting it as indicated in this picture



**Step 7**

- Remove the 4 Speaker Terminals



Ref. No. 7

**Removal of the Speaker Woofer Down Rear**

Procedure 7

**ATTENTION**

- When assembly the Passive Radiator put UP mark to upward.

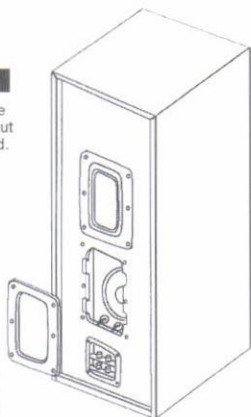
**Step 1**

- Remove the 6 Screws



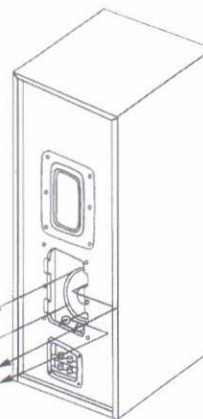
**Step 2**

- Remove the Passive Radiator and Gasket



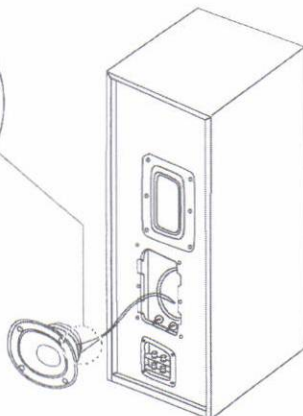
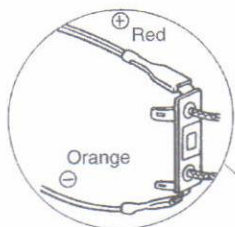
**Step 3**

- Remove the 4 Screws



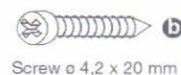
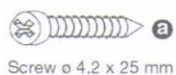
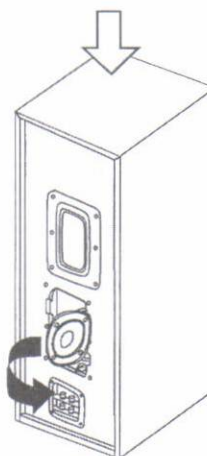
**Step 5**

- Remove the 2 Speaker Terminals



**Step 4**

- When remove the Speaker tilting it as indicated in this picture



Ref. No. 8

Removal of the Speaker Woofer Up Rear

Procedure 8

**ATTENTION**

- When assembly the Passive Radiator put UP mark to upward.

**Step 1**

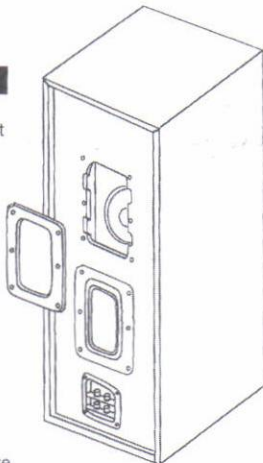
- Remove the 6 Screws

a x 6



**Step 2**

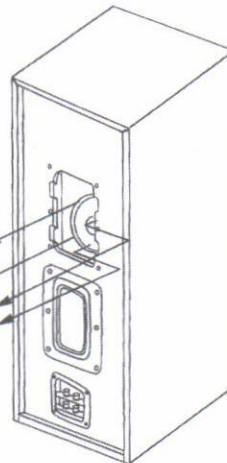
- Remove the Passive Radiator and Gasket



**Step 3**

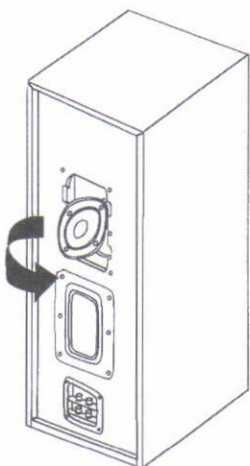
- Remove the 4 Screws

b x 4



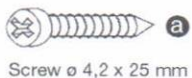
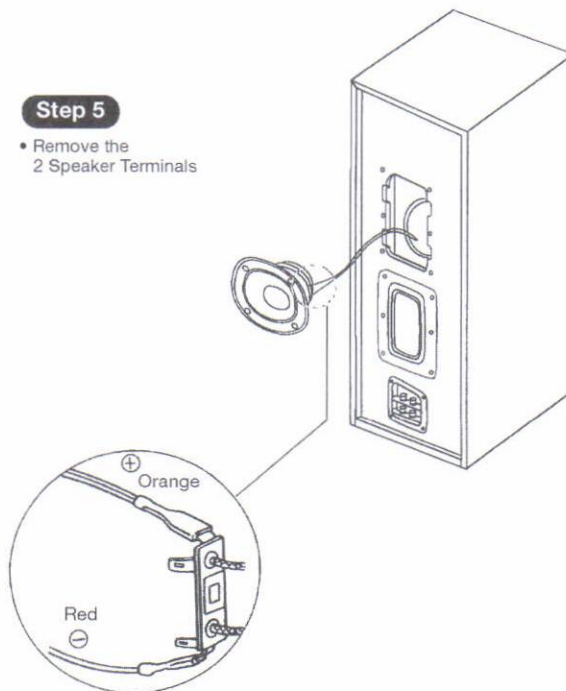
**Step 4**

- When remove the Speaker tilting it as indicated in this picture



**Step 5**

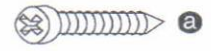
- Remove the 2 Speaker Terminals



Ref. No. 9

**Removal of the Terminal Block**

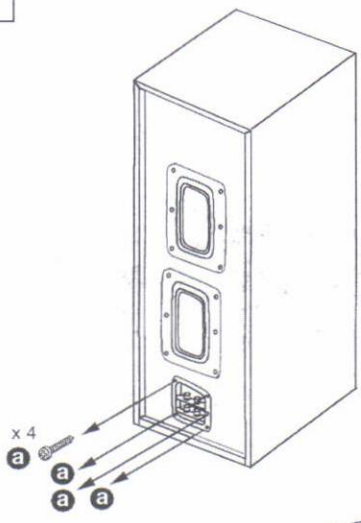
Procedure 9



Screw ø 4,2 x 25 mm

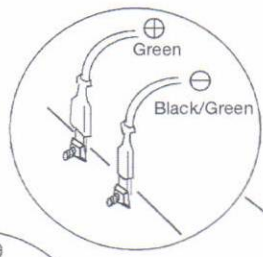
**Step 1**

- Remove the 4 Screws



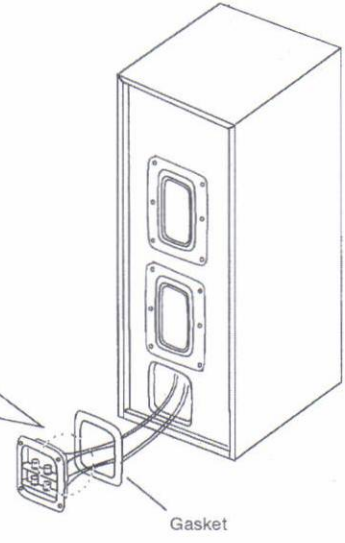
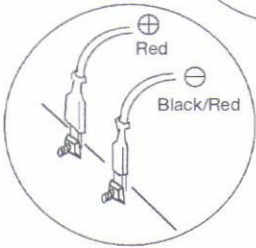
**Step 2**

- Remove the 2 Terminals HF



**Step 3**

- Remove the 2 Terminals LF



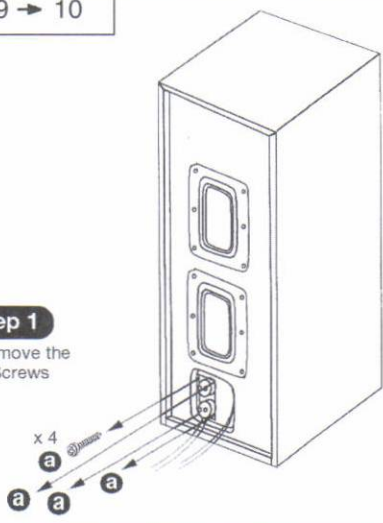
Ref. No. 10

**Removal of Network Ass'y L.F**

Procedure 9 → 10

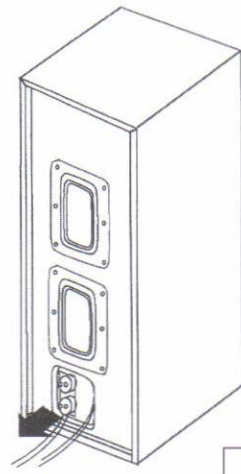
**Step 1**

- Remove the 4 Screws



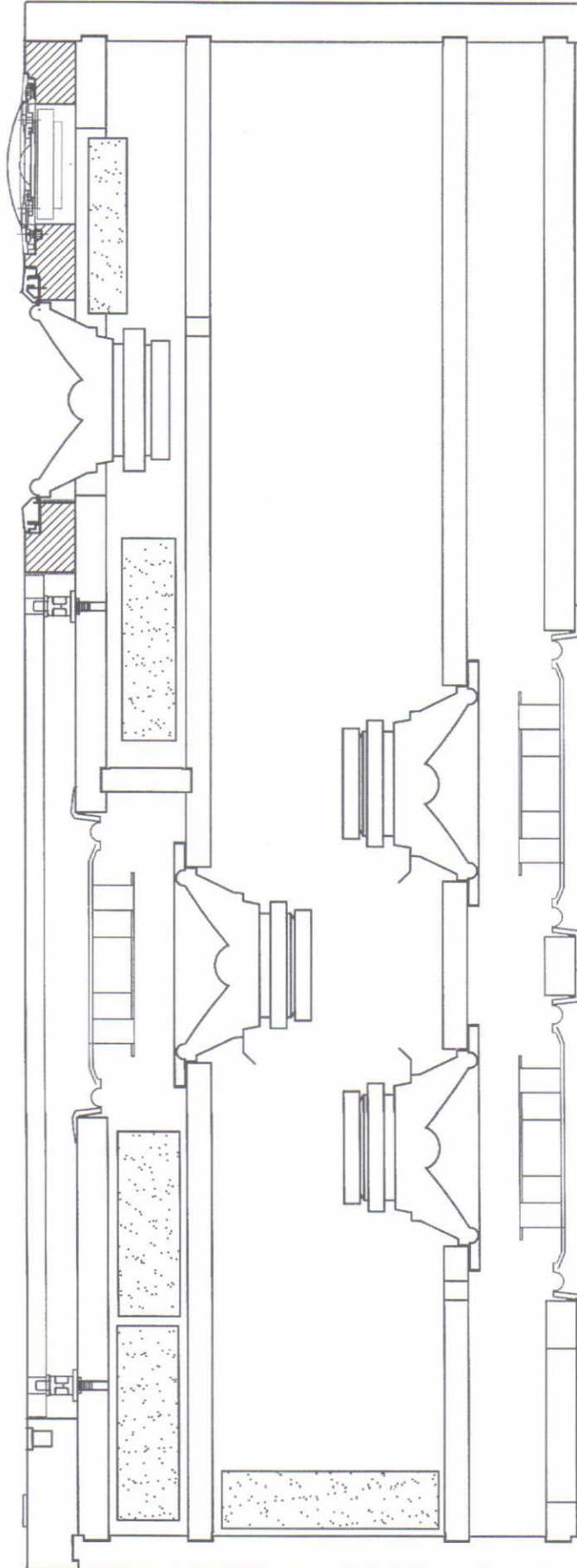
**Step 2**

- Remove the Network Ass'y in the direction of arrow



Screw ø 4,2 x 16 mm

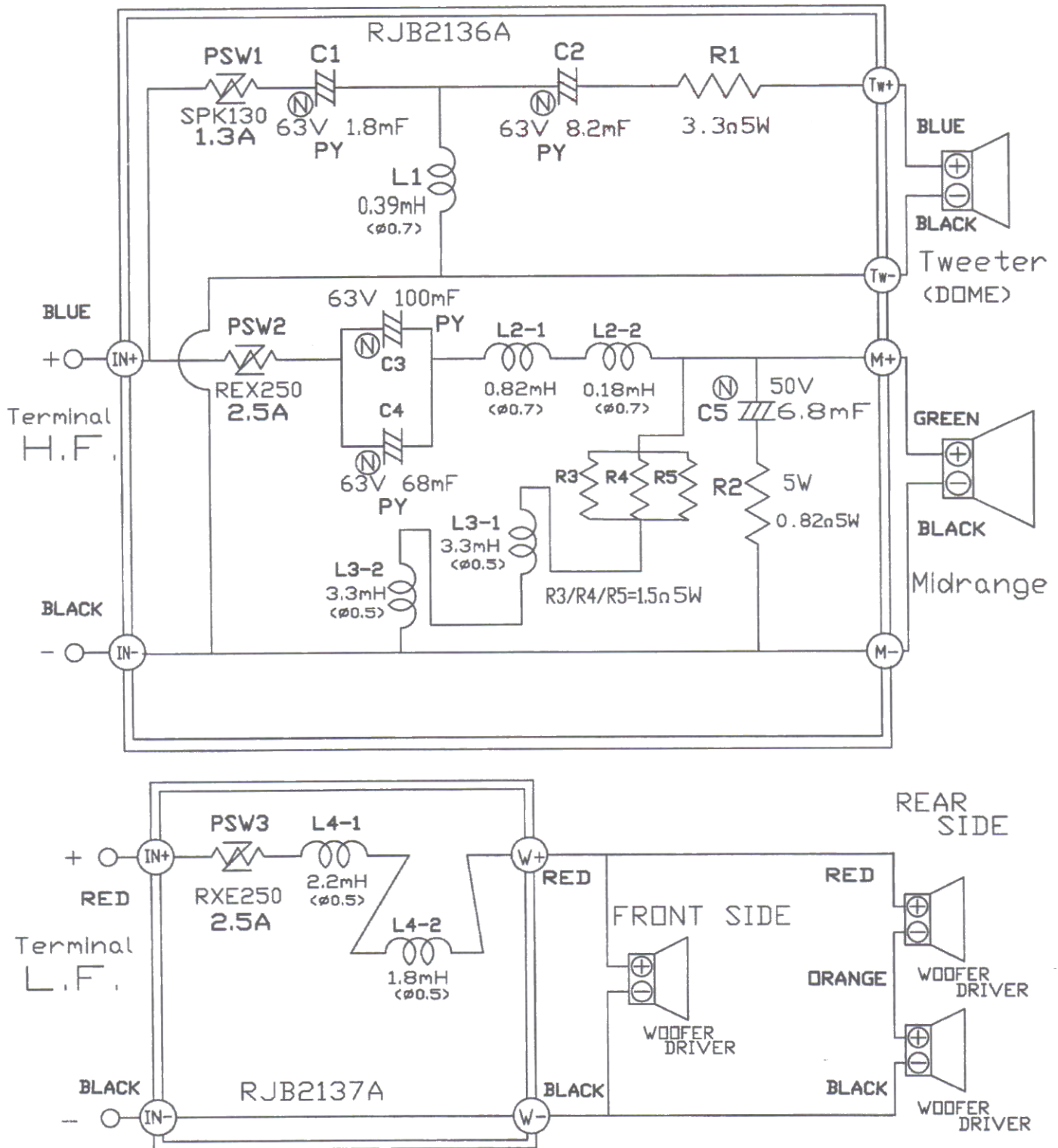
SECTION VIEW



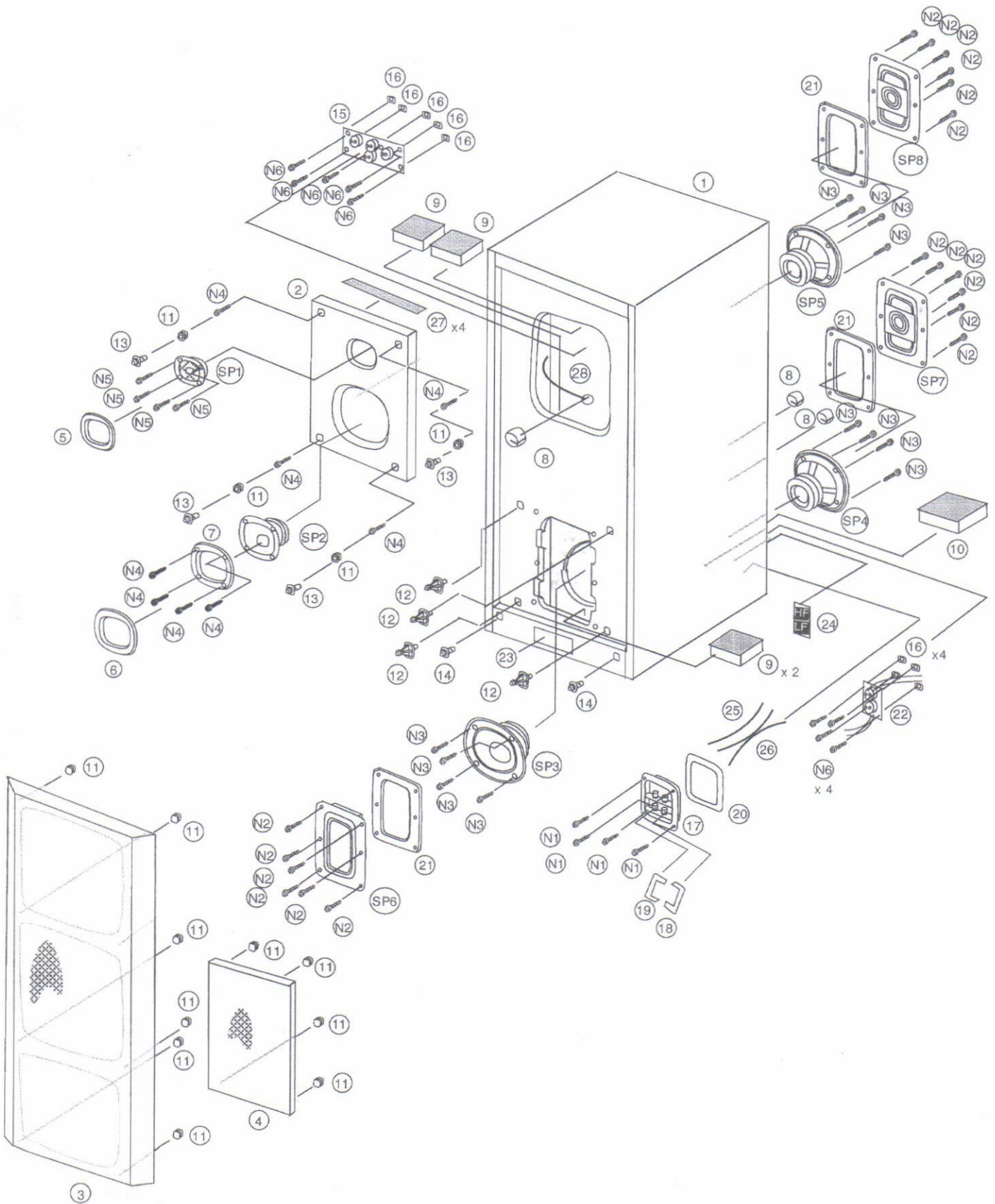


## ■ SCHEMATIC DIAGRAM

(This schematic diagram may be modified at any time with development of new technology)



EXPLODED VIEW



## ■ Replacement Parts List

Notes 1. Part numbers are indicated on most mechanical parts. Please use this part number for parts orders.

2. MAES indicates parts that are supplied by MAES.

Nota 1. El código está indicado en la mayoría de las piezas. Por favor use este código para sus pedidos.

2. La indicación MAES significa recambios suministrados a través de MAES.

Ref. No.	Part No.	Part Name & Description	Remarks	Ref. No.	Part No.	Part Name & Description	Remarks
		<b>SPEAKER (S)</b>					
SP1	EAS25KH104A	TWEETER	MAES	6	RMGP0436-T	ORNAMENT MIDRANGE	MAES
SP2	EAST14PL14A6	MIDRANGE	MAES	7	RGKP0837A-K	MIDRANGE RING	MAES
SP3	EAST14PL12A6	WOOFER	MAES	8	SHGS8G9071	GASKET	MAES
SP4	EAST14PL12A6	WOOFER	MAES	9	RFAP0585-1	ABSORBER	MAES
SP5	EAST14PL12A6	WOOFER	MAES	10	RFAP0594	ABSORBER	MAES
SP6	EAST18SY03A6	PASSIVE RADIATOR	MAES	11	SHG8G9044	NET HOLDER	MAES
SP7	EAST18SY03A6	PASSIVE RADIATOR	MAES	12	RMQP0619	CATCH PIN P.S	MAES
SP8	EAST18SY03A6	PASSIVE RADIATOR	MAES	13	RMQP0455-2	CATCH PIN BLACK	MAES
		<b>COIL(S)</b>		14	RMQP0640	CATCH PIN GOLD	MAES
L1	SLCP391J7	CHOQUE COIL 0,39mH	MAES	15	REP2852A	NETWORK ASS'Y H.F	MAES
L2-1	SLCP821J7	CHOQUE COIL 0,82mH	MAES	16	SUDS12	SPACER P.C.B	MAES
L2-2	SLCP181J7	CHOQUE COIL 0,18mH	MAES	17	REJ0076	BASE TERMINAL	MAES
L3-1	SLCP332J	CHOQUE COIL 3,3mH	MAES	18	RJR0155	SHORT BAR +	MAES
L3-2	SLCP332J	CHOQUE COIL 3,3mH	MAES	19	RJR0156	SHORT BAR -	MAES
L4-1	SLCP222J	CHOQUE COIL 2,2mH	MAES	20	RMQP0589B	GASKET BASE TERMINAL	MAES
L4-2	SLCP182J	CHOQUE COIL 1,8mH	MAES	21	RMQP0589A	GASKET PASSIVE RADIATOR	MAES
		<b>CAPACITOR (S)</b>		22	REP2879A	NETWORK ASS'Y L.F	MAES
C1	ECEA1JPY1R8	CAPACITOR 1,8 $\mu$ F 63V	MAES	23	RGBP0096-N	TECHNICS BADGE	MAES
C2	ECEA1JPY8R2	CAPACITOR 8,2 $\mu$ F 63V	MAES	24	SGTPHF/LF	HF/LF LABEL	MAES
C3	ECA1JPY101L	CAPACITOR 100 $\mu$ F 63V	MAES	25	REV12D250DD	INTERC. WIRE 1 (ORANGE)	MAES
C4	ECA1JPY680L	CAPACITOR 68 $\mu$ F 50V	MAES	26	RWJ7202270DD	INTERC. WIRE 2 (RED/BLACK)	MAES
C5	ECEA1JPY6R8	CAPACITOR 6,8 $\mu$ F 50V	MAES	27	RMQP0517	GASKET FRONT PANEL	MAES
		<b>RESISTOR (S)</b>		28	RWJ7502950DD	H.F WIRE	MAES
R1	ERX5SJ3R3P	RESISTOR 3,3 $\Omega$ 5W	MAES			<b>SCREW(S)</b>	
R2	ERX5SJR82P	RESISTOR 0,82 $\Omega$ 5W	MAES	N1	XTNP42+25FG	SCREW TERMINAL BLOCK	MAES
R3	ERX5SJ1R5P	RESISTOR 1,5 $\Omega$ 5W	MAES	N2	XTN42+25FG	SCREW PASSIVE RADIATOR	MAES
R4	ERX5SJ1R5P	RESISTOR 1,5 $\Omega$ 5W	MAES	N3	XTN42+20	SCREW WOOFER	MAES
R5	ERX5SJ1R5P	RESISTOR 1,5 $\Omega$ 5W	MAES	N4	XTN42+25	SCREW MID./ F.PANEL	MAES
		<b>POLY SWITCH</b>		N5	XTNP42+20FG	SCREW TWEETER	MAES
PSW1	RRSSPK130	POLY SWITCH 1,3A	MAES	N6	XTN42+16	SCREW P.C.B	MAES
PSW2	SSBSRXE250	POLY SWITCH 2,5A	MAES			<b>ACCESORIES</b>	
PSW3	SSBSRXE250	POLY SWITCH 2,5A	MAES	A 1	RQT5060-E	INSTRUCTION BOX	MAES
		<b>CABINET ASS'Y</b>		A 2	XZBA4	BAG	MAES
1	RYK0949-M	CABINET ASS'Y	MAES			<b>PACKING PARTS</b>	
2	RYP0920-H	FRONT PANEL	MAES	P1	RPG4473	CARTON BOX	MAES
3	RYB0222	NET FRAME ASS'Y(OUTSIDE)	MAES	P2	RPNP1207	PAD	MAES
4	RYB0223	NET FRAME ASS'Y(INSIDE)	MAES	P3	SPHP35060	SHEET CABINET ASS'Y	MAES
5	RMGP0434-T	ORNAMENT TWEETER	MAES	P4	SPHP23045	SHEET NET FRAME	MAES

■ PACKAGING

